

Axis^{AX}

Firefighter Phone System2 Firefighter Phone Node

The Axis AX Firefighter Phone Node is a dedicated addressable firefighter phone communications system. The firefighter phone node can be incorporated within an Advanced network installation or can exist as a completely standalone firefighter phone system.

Firefighter phone nodes are modular designed based on installation requirements and are assembled within Advanced command center enclosures. As a minimum, firefighter phone nodes incorporate a dedicated base card with 1, 2 or 4 Class B, A or X (with optional isolator modules) firefighter phone signalling line circuits (SLCs), a telephone riser module, an integral firefighter phone and firefighter phone keyboard display for the status and control of the system. The firefighter phone keyboard display provides easy to understand customer English text status of incoming calls, connected calls, calls on hold and phone troubles.

The firefighter phone node telephone riser module can support up to 250 addressable firefighter phones. In addition, if additional addressable firefighter phones are required or if an installation requires more than one (1) firefighter telephone riser, an additional telephone riser module can be provided for a maximum of 500 addressable firefighter phones.

The master addressable firefighter phones connect to both the dedicated firefighter phone signalling line circuit and to the telephone riser module. The integral addressable module of the master addressable firefighter phone supports dial, ring and busy/hold tones for the user to know the call is being generated and received at the firefighter phone node. In addition, each master addressable firefighter phone can support up to a maximum of four (4) conventional firefighter phone jacks.

When combined with an Advanced Axis AX audio product an optional plug-in pager board is available for field firefighter phone paging via the firefighter phone node command center.



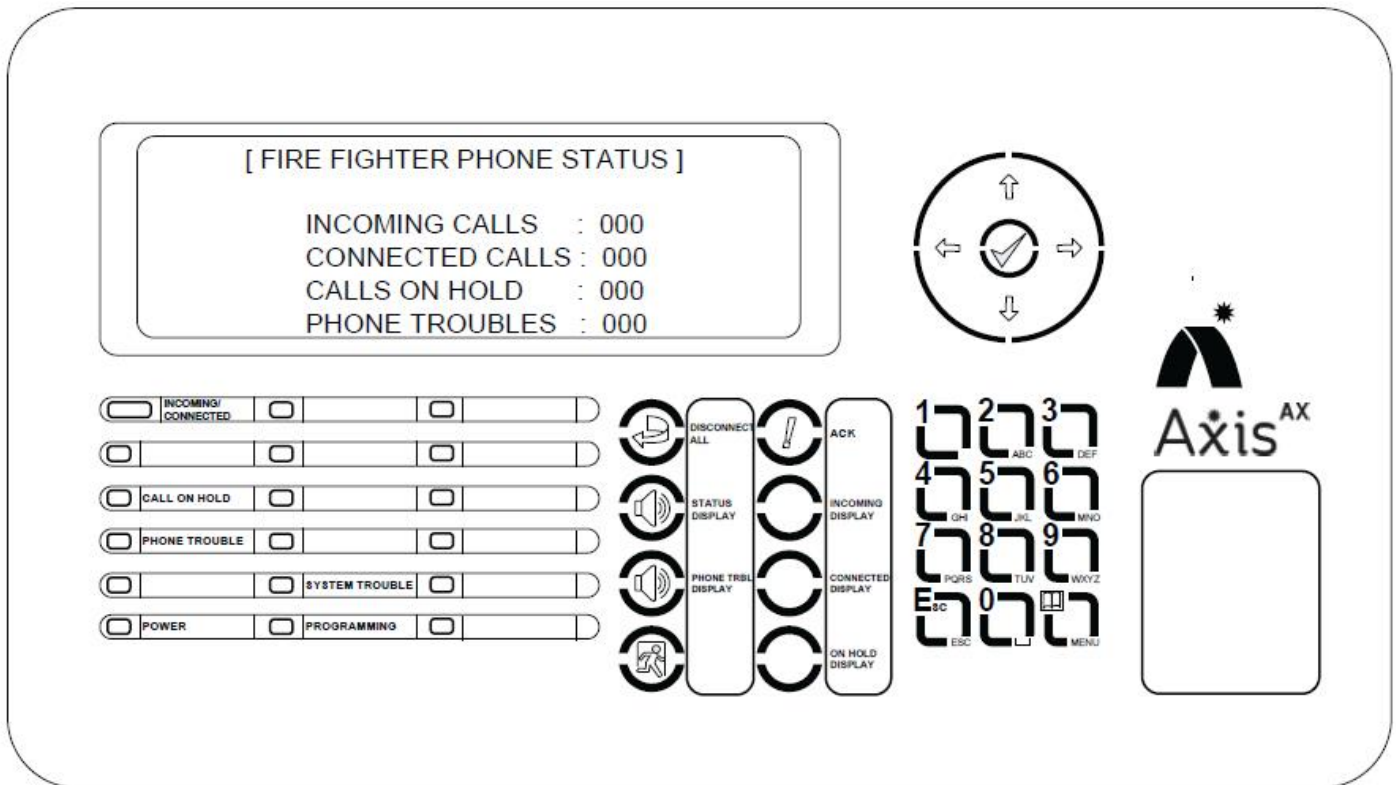
Listings and Approvals

- Certified to UL864 10th Edition – File No. S35979
- NYCFD COA: Pending
- CFSM approved: Pending

Features

- 1, 2 or 4 Class B, A or X Firefighter Phone SLC Loops
- Standalone or Networkable
- Single or Multiple Firefighter Phone Command Centers
- Riser Supports 250 Addressable Firefighter Phones
- Class X(A) or Class B Telephone Riser
- Built-in Telephone Riser Short Circuit Isolation
- Multiple Risers Support a Max. 500 Addressable Firefighter Phones
- Modular Designed
- User-friendly Operator Display and Controls

AV-TEL2-P or AV-TEL2-PT Interface to AV-CJACK



Order Codes and Options

CCM-01-BB*	3 x 3 Backbox, 22.6" H x 20.3" W x 5.5" D
CCM-01-ID2*	3 x 3 Inner Door, 2 Double and 5 Single Apertures
CCM-01-OD*	3 x 3 Outer Door
CCM-02-BB*	3 x 5 Backbox, 35.9" H x 20.3" W x 5.5" D
CCM-02-ID4*	3 x 5 Inner Door, 2 Double and 11 Single Apertures
CCM-02-OD*	3 x 5 Outer Door
AX-SAP*	Single Aperture Blank Plate
AX-ACB	AC Board
AX-CTL-1PCB	Telephone Node Base Card, 1 Phone SLC Loop
AX-CTL-2PCB	Telephone Node Base Card, 2 Phone SLC Loops
AX-LPD	SLC/NAC Expansion Board, 2 Phone SLC Loops and 2 Phone NAC (Signal) Circuits
AX-PSU	5A Expansion Power Supply
AX-PSU-6	6A Power Supply Charger
AX-DSP/T	Firefighter Keyboard Display
AX-ASW16	Switch/LED Module incorporating 16 switches and 48 LEDs
AX-LED16RY	LED Module incorporating 16 red and 16 yellow LEDs
AX-LED32R	LED Module incorporating 32 red LEDs
AX-LED32Y	LED Module incorporating 32 yellow LEDs
CCM-MP-BP2	Mounting Plate support two (2) AV-TEL2-RISE modules. Use to mount two (2) AV-TEL2-RISE module in a Command Center.
AV-TEL2-RISE	Telephone Riser Module

AV-TEL2-MCCS* Firefighter Phone Node Command Center Standard Telephone

AV-TEL2-PPB Plug-in Audio Module

* For gray colour, add suffix **-G** to part number

[Check if this document is up to date](#) | [Give us feedback](#)

9564 Yellowhead Trail NW, Edmonton AB, T5G 0W4, Canada T: 1 (866) 462-7100 E: info@harding-tech.com W: www.harding-tech.com

As our policy is one of constant product improvement the right is therefore reserved to modify product specifications without prior notice.